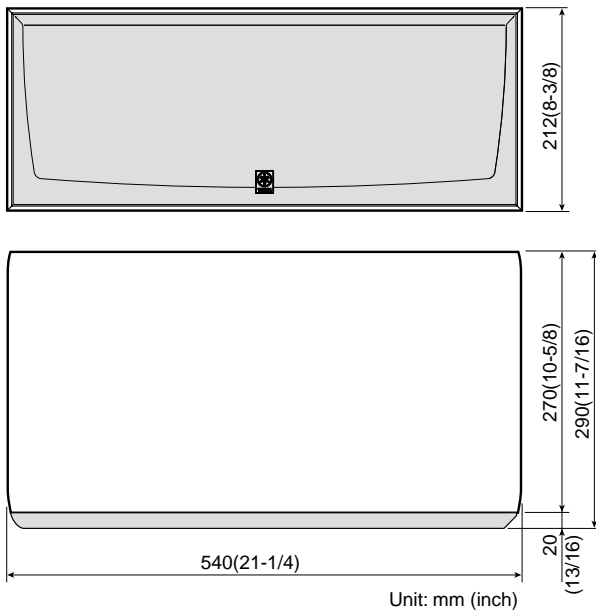


# SPEAKER SYSTEM NS-C300

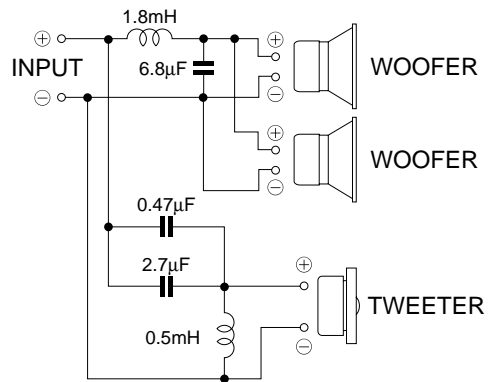
## SERVICE MANUAL

NS-C300

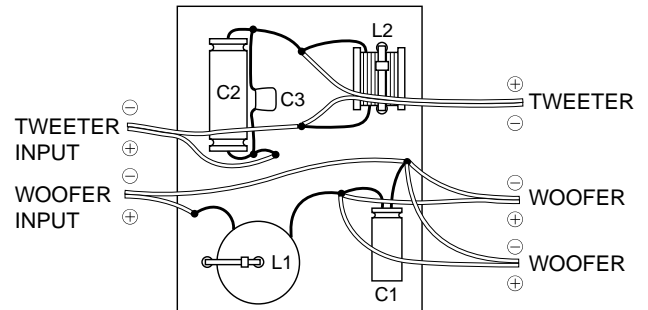
### ■ DIMENSIONS



### ■ NETWORK CIRCUIT DIAGRAM



### ■ WIRING DIAGRAM



### ■ SPECIFICATIONS

**Type** ..... 2-way 3-speaker bass reflex speaker system  
(Magnetically-shielded type)

**Speaker Unit**

**Woofer** ..... 16 cm (6.5") corn x 2

**Tweeter** ..... 3 cm (1") dome

**Nominal Impedance** ..... 6 ohms

**Frequency Response** ..... 30 Hz ~ 35 kHz

**Nominal Input Power** ..... 140 W

**Maximum Input Power** ..... 400 W

**Sensitivity** ..... 91 dB/2.83 V/m

**Crossover Frequency** ..... 3 kHz

**Dimensions (W x H x D)** ..... 540 x 212 x 290 mm  
(21-1/4" x 8-3/8" x 11-7/16")

**Weight** ..... 12.4 kg (27 lbs. 5 oz.) / 1 piece

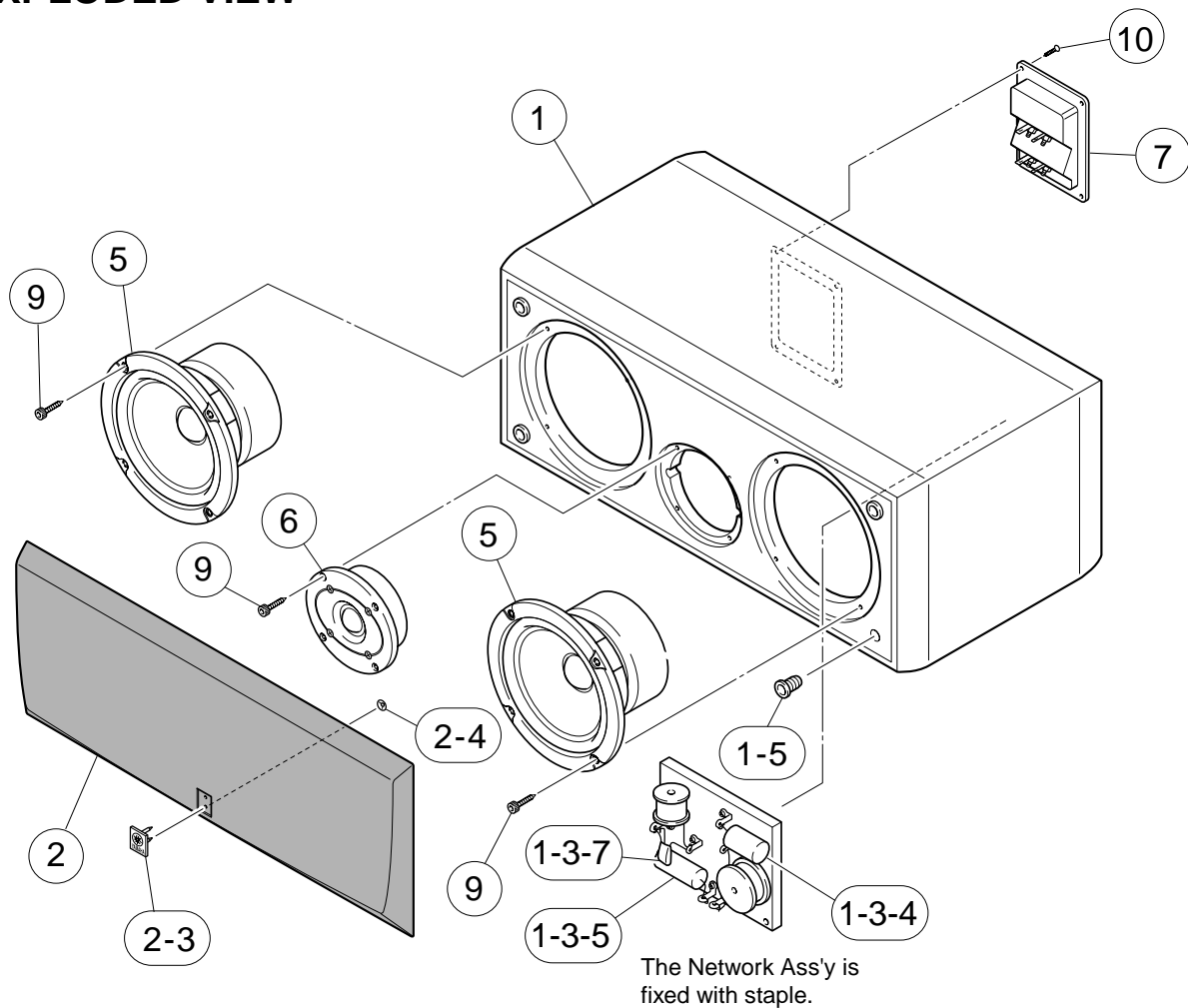


このサービスマニュアルは、エコマーク認定の再生紙を使用しています。  
This Service Manual uses recycled paper.

\* Specifications are subject change without notice due to product improvements.



■ EXPLODED VIEW



■ PARTS LIST

Ref. No.	PART NO.	Description	Remarks	Markets
* 1	V4056200	CABINET ASS'Y		CH
* 1	V4056300	CABINET ASS'Y		BL
* 1-3-4	VA806800	ELECTROLYTIC CAP	6.8uF 50V	
* 1-3-5	FR116270	PAPER CAP	2.7uF 160V	
* 1-3-7	V4346900	MYLAR FILM CAP	0.47uF 50V	
* 1-5	CB605250	HOLDER		
* 2	V4056000	FRONT GRILLE ASS'Y		CH
* 2	V4585300	FRONT GRILLE ASS'Y		BL
* 2-3	V2192200	EMBLEM	YAMAHA	
* 2-4	VP161000	PUSH NUT	SPN1.5	
* 5	XW231A00	LOUD SPEAKER	16cm	
* 6	XW232A00	LOUD SPEAKER	2.5cm	
* 7	V4041400	SPEAKER TERMINAL	4P	
* 9	V4041500	HEXAGON HEAD WOOD SCREW	4x20 MFCR3	
* 10	EN230180	OVAL HEAD TAPPING SCREW	3.5x16 MFC2-BL	

\* New Parts